

Spacepac XL-T400 Battery Electric Pushers / Pullers

XL-T400

Manufactured in Europe, XL-T400 stand-on battery electric tug can be used in Airports, Hospitals, Warehouses or Factories for towing heavy carts, trolleys and production equipment.



[Click here to see the video](#)



Features:

- 1,000 Kg Capacity
- Supplied standard with backrest
- Complete with horn & ignition with keys
- Complies with CE and Relevant Australian Standards
- Large diameter pneumatic tyres ensure smooth ride and better traction on hard and uneven surfaces.
- Autonomy of up to 8 hours of continuous operation
- External battery charger – 4 to 6 hours charging time
- 400 Watt 24Volt DC Motor
- Emergency stop button
- Electromagnetic brake for holding on slopes and ramps

To Suit : Hospitals / Hotels / Aged Care / Food & Pharmaceutical Industry / Workshops / Farms / Caravan Parks / Wholesale / Retail / Botanic & Flower Industries / etc



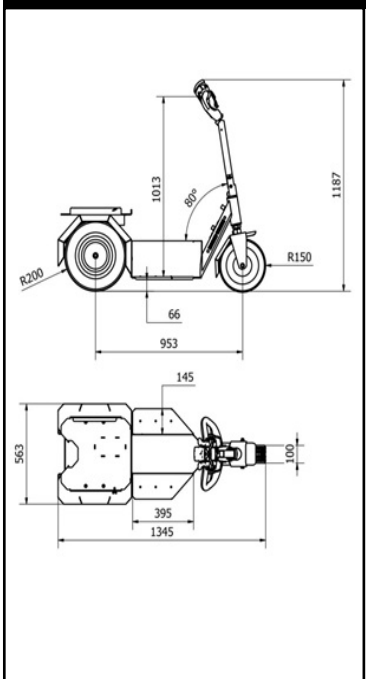
ZERO EMISSIONS

2 Year Warranty

SPECIFICATIONS:

Model	# XL-T400
Driving Motor	DC Motor 24V. 400W
Traction Capacity	1000 kg
Travel Speed	0 - 11 km/hour
Speed Controller	Curtis, Speed & acceleration are freely programmable 70 A
Battery	2x12V 56 Ah AGM / 2 x 16.5 Kg
Charger	230V, 50-60 Hz, 24V, 8A
Drive Wheels	400 x 100 mm / 4.8 x 4-8
Weight Inc. Battery	125 kg
Width	545 mm
Length Without Hook	1345 mm
Handle Height	1187 mm
Fold in Height	770 mm
As Standard, provided with	Batteries, Charger, Backrest, STD Hook, horn & ignition with keys
Options	Spare battery, flashing light & Special Hooks.

DIMENSIONS :



Spacepac XL-T800 Battery Electric Pushers / Pullers

XL-T800

Manufactured in Europe, XL-T800 Sit-on battery electric tug can be used in Airports, Hospitals, Warehouses or Factories for towing heavy carts, trolleys and production equipment.



[Click here to see the video](#)



Features:

- 2,500 Kg Capacity
- Supplied standard with Seat or optional Backrest
- Complete with horn & ignition with keys
- Complies with CE and Relevant Australian Standards
- Large diameter pneumatic tyres ensure smooth ride and better traction on hard and uneven surfaces.
- Autonomy of up to 8 hours of continuous operation
- External battery charger – 4 to 6 hours charging time
- 800 Watt 24Volt DC Motor
- Emergency stop button
- Electromagnetic brake for holding on slopes and ramps

To Suit : Hospitals / Hotels / Aged Care / Food & Pharmaceutical Industry / Workshops / Farms / Caravan Parks / Wholesale / Retail / Botanic & Flower Industries / etc



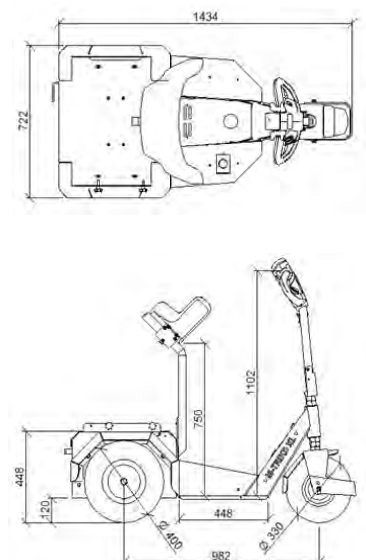
ZERO EMISSIONS

2 Year Warranty

SPECIFICATIONS:

Model	# XL-T800
Driving Motor	DC Motor 24V. 800W
Traction Capacity	2500 kg
Travel Speed	0 - 10 km/hour
Speed Controller	Curtis, Speed & acceleration are freely programmable
Battery	2x12V 98 Ah AGM / 2 x 33 Kg
Charger	230V, 50-60 Hz, 24V, 8A
Tyres	400 x 125 mm / 16 x 6.5-8
Weight Inc. Battery	200 kg
Width	755 mm
Length	1434 mm
Handle Height	980 mm with seat ... 1320 mm with backrest
Fold in Height	820 mm
As Standard, provided with	Batteries, Charger, Seat, STD Hook, horn & ignition with keys
Option	Spare battery, Special Hooks & flashing light

DIMENSIONS :



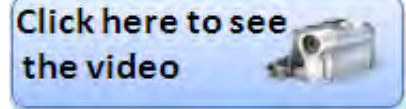
Spacepac XL-T1500 Battery Electric Pushers / Pullers

XL-T1500

Manufactured in Europe, XL-T1500 Sit-on battery electric tug can be used in Airports, Hospitals, Warehouses or Factories for towing heavy carts, trolleys and production equipment.



Features:



- 3,500 Kg Capacity
- Supplied standard with Seat or optional backrest
- Complete with horn & ignition with keys
- Complies with CE and Relevant Australian Standards
- Large diameter pneumatic tyres ensure smooth ride and better traction on hard and uneven surfaces.
- Autonomy of up to 8 hours of continuous operation
- External battery charger – 4 to 6 hours charging time
- 1500 Watt 24Volt DC Motor
- Emergency stop button
- Electromagnetic brake plus hydraulic pedal brake for holding on slopes and ramps

To Suit : Hospitals / Hotels / Aged Care / Food & Pharmaceutical Industry / Workshops / Farms / Caravan Parks / Wholesale / Retail / Botanic & Flower Industries / etc



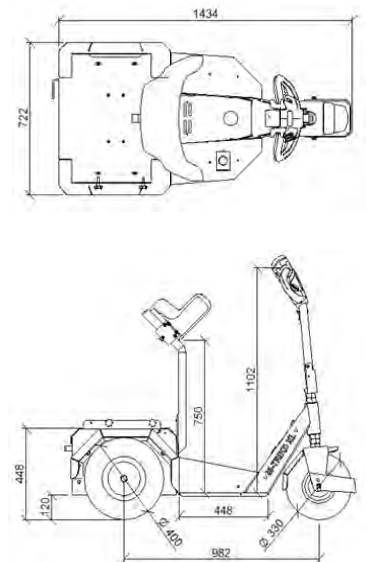
ZERO EMISSIONS

2 Year Warranty




SPECIFICATIONS:

Model	# XL-T1500
Driving Motor	DC Motor 24V. 1500W
Traction Capacity	3500 kg
Travel Speed	0 - 10 km/hour
Speed Controller	Curtis, Speed & acceleration are freely programmable
Battery	2x12V 98 Ah AGM / 2 x 33 Kg
Charger	230V, 50-60 Hz, 24V, 8A
Tyres	400 x 125 mm / 16 x 6.5-8
Weight Inc. Battery	215 kg
Width	755 mm
Length	1434 mm
Handle Height	980 mm with seat ... 1320 mm with backrest
Fold in Height	820 mm
As Standard, provided with	Batteries, Charger, Seat, STD Hook, horn & ignition with keys
Option	Spare battery, Special Hooks & flashing light

DIMENSIONS :



Spacepac XL-T Battery Electric Pushers / Pullers - Pricing

Part Number	Description		Prices (AUD) EX GST	Estimated lead Time
#XL-T400	Spacepac XL-T400 Tug 0.4 Kw Motor, 1000Kg Capacity complete with batteries, charger, horn, ignition with key, backrest & draw hook with drop in pin			
#XL-T800	Spacepac XL-T800 Tug 0.8 Kw Motor, 2500Kg Capacity complete with batteries, charger, horn, ignition with key, seat & draw hook with drop in pin			
#XL-T1500	Spacepac XL-T1500 Tug 1.5 Kw Motor, 3500Kg Capacity complete with batteries, charger, horn, ignition with key, seat, hydraulic pedal brake & draw hook with drop in pin			



Spacepac XL-T1500 Towing a 6 Bin Aluminium Wheelie Bin Trailer

Spacepac XL-T400 Towing Horticultural Trolleys



XL-T Draw Hook With Drop In Pin -
Height Adjustable



XL-SCS: Optional Strong Crate
600x400 WITH SEAT For XL-T400 Tug



XL- SC: Optional Strong Crate 600
x 400 mm for XL-T400 Tug

Spacepac Battery Electric Pushers / Pullers - Warranty

Warranty:

Spacepac battery electric vehicles come with our **2 year warranty** on machines and 12 months on batteries. If a defect is reported, Spacepac Industries will repair or replace the defective part, at its own discretion. This warranty does not apply if the tug has been misused, damaged, or modified in any way. Please be aware that modifications and misuse will void your warranty.

Service after the warranty period dependent on the model:

- Service intervals recommended every 12 months or 250 hours work time.
- Service cost \$250 + GST plus travel time (valid for 12 months from sale date) for standard maintenance checks and service as per handbook and maintenance schedule for original end user..
- We have an established network of service agents Australia wide for warranty and service calls.
- Spacepac Industries response time for urgent matters is normally within 24 to 48 hours to your site.