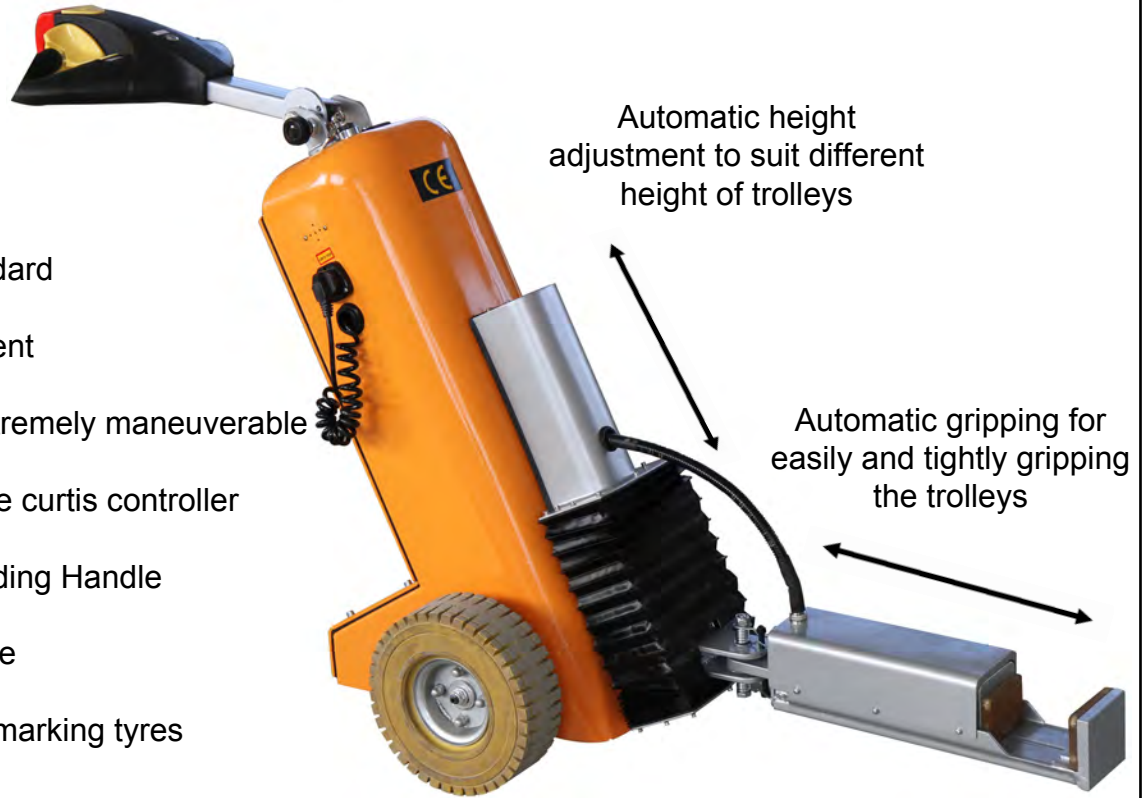


# NL Series Tug With Automatic Gripping & Height Adjustment

## Features:

- Automatic gripping - Standard
- Automatic height adjustment
- Very compact design - extremely maneuverable
- High quality programmable curtis controller
- Adjustable height and Folding Handle
- Powder coated Steel frame
- Puncture Proof solid non-marking tyres

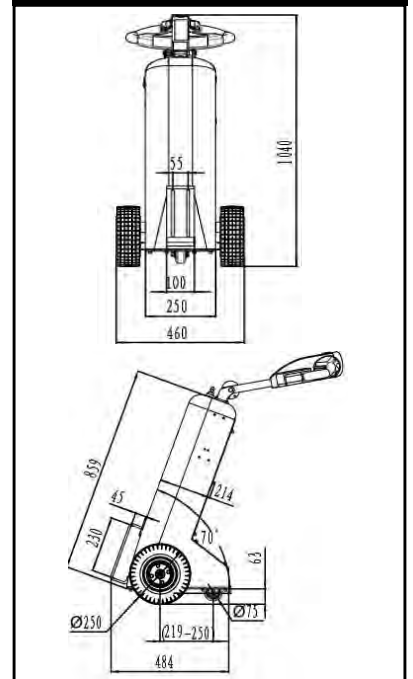


**Warranty:** 2 year on machine parts, 1 year on Batteries.

## SPECIFICATIONS:

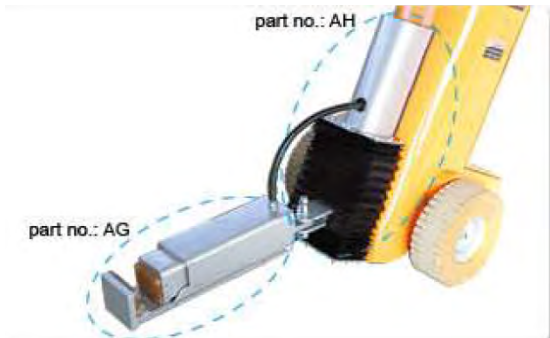
Model	# NL-SM1000N-AG
Driving Motor	DC Motor 24V. 400W
Traction Capacity	1000 kg
Travel Speed	0 - 6 km/hour
Speed Controller	Curtis Brand; Speed & acceleration are freely programmable
Battery	Built In 2 x 12V/24 Ah, Weight 16.5Kg
Charger	24V/3A
Tyres	Solid 250 dia. x 85 - non marking
Weight Inc. Battery	95 kg
Width	460 mm
Length Without Hook	484 mm
Handle Height	Adjustable 910 - 1290 mm
Fold in Height	895 mm
As Standard, provided with	Battery, Battery Charger, Standard Hook.
Options	Spare battery, Special Hooks

## DIMENSIONS :



## Electric Tug With Automatic Gripping & Height Adjustment

Model	SM1000N-AG	SM1000N-AG+AH
Function	Auto Gripping	Auto Height Adjustment
Voltage	24V	24V
Gripping Speed	10 mm/s	-
Max. Gripping Force	240Kg	-
Lifting Speed	-	10 mm/s
Lifting Capacity	-	120Kg
Current Rate-lifting	-	4A
Current Rate-lowering	-	2A
Location Mode	By Sensor	By Sensor
Gripping Force Adjustment	By Spring	-



## Spacepac Battery Electric Trolley Movers

