

TR2-RC Battery Electric Trolley Mover - 1500Kg



Adjustable to suit different trolleys



**2 Year
Warranty**



FEATURES:

- 1,500 Kg Capacity for moving up to 40 trolleys
- Long life, minimal maintenance and ease of use
- Emergency stop button
- Auto stop when controls are released
- Adjustable height handle to suit all operators
- Electromagnetic brake
- Optional flashing safety light is available
- 600 Watt 24Volt AC Motor
- Complete with remote control
- Suitable for pushing / pulling any brand of trolleys
- On-board battery charger
- Wide range of accessories to suit your trolleys
- Autonomy of up to 8 hours continuous operation
- Custom colors & printed logos available - POA

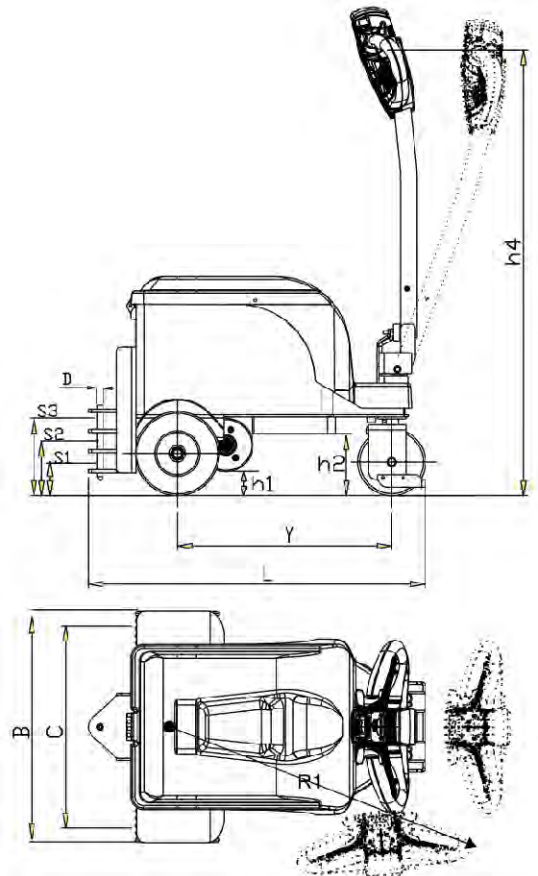
Replaces All Previous Versions

Effective November 2014

TR2-RC Battery Electric Trolley Mover - 1500Kg



FEATURES	SPECIFICATIONS	U.M.	
1 Manufacturer			DEC Spa
2 Type			TR2
3 Tow	Nominal mass towable	Kg	1500
4 Engine type	Electric - endothermic		Electric
5 Driving system	On the ground - standing - seated		On the ground
6 Tyres	Pn=pneum. Se=superelastic.		Se
7 Wheels	Number front./back X=tractors	Nr	1 / 2X
8 Load plane	L x B (length.x breadth.)	mm	----
DIMENSIONS			
9 Floor height	h = height from the ground	mm	----
10 Encumbrances	L = length with hook	mm	750
11	B = breadth	mm	550
12	h 3 = foot panel height	mm	-
13	h 5 = seat height	mm	-
14	h 4 = height handle	mm	1000
15 Wheelbase	Y = tread	mm	506
16 Roadway	C - with wheel centre . rear	mm	470
17 Height from the ground	h1=lowest point	mm	65
18	h2=with half wheelbase	mm	152
19 Steering range	R 1 = min.front external	mm	720
20	R 2 = min.rear external	mm	-
21	R 3 = min.rear internal	mm	-
22 Corridor width	curve to 90°	mm	1120
23 Height hook	S=centre from ground	mm	80-120-160
24 Pin's diameter	D=diameter	mm	14
PERFORMANCES			
25 Speed	without / with load	Km/ h	6/3
26 Strain with hook	Continuous service 60' on flat	N	600
27 Strain with hook	Max. in flat 5"	N	900
28 Gradeability	Without / with max load	%	10/2
29 Real earth	with battery	Kg	160
30 Mass on axes	front/rear. With batt.	Kg	40/90
Transmission			
31 Battery	Type		Ironload
32	Capacity 5h: Std.	V/Ah	2x12/130
33	Weight: Std.	Kg	2x35
34 Built-in battery charger	Standard		85-264 Vac;50-60 Hz
35 Electric engine	rotation power S2=60'	kW	0.6 AC
36 Exchange rate and/or inverter	n. gear St. / in Reverse		1 / 1
37 Transmission	mechanical/hydraulic		Mechanical with gears
38 Tyres	front diameter / width	mm	
39	rear diamet.x width	mm	
40 Superelastics	front diameter / width	mm	160/50
41	rear diam./ width	mm	200/80
BRAKES			
42 Service brake	Mechan./ hydraul./ electronic		Mech. Automat.
43	number of brake axes		1
44 Handbrake	Mechan./ hydraul./ electronic		Mech. Automat.
45 SUSPENSIONS	springs/springs/shock absorbers		----
46 STEERING	mechanical/electrical/hydraulic		Manual
47 ELECTRICAL SYSTEM	electronic converter		Chopper AC
48 TOW HOOK	manual / automatic		Manual
49 AUTONOMY	average load	h	5



All prices/specifications subject to change without notice.

Add 10%GST Australia only